



## DRY VAN SEMI TRAILER RENTALS



### 53' DRY VAN SEMI TRAILER RENTALS

USE:	STANDARDS:	
Retail	<b>Length</b> 53 ft	<b>Door Type:</b>
Manufacturing	<b>Width</b> 96 - 102 inches	Swing door
Construction	<b>Height</b> 13.6 ft	Roller door
Distribution	CAPACITY:	
Warehouse	53 ft Length, Gross, Weight: 45,000 lbs	
Transportation	53 ft Max Pallets: 26 pallets	

### 48' DRY VAN SEMI TRAILER RENTALS

USE:	STANDARDS:	
Retail	<b>Length</b> 48 ft	<b>Door Type:</b>
Manufacturing	<b>Width</b> 96 - 102 inches	Swing door
Construction	<b>Height</b> 13.6 ft	Roller door
Distribution	CAPACITY:	
Warehouse	48 ft Length, Gross Weight: 45,000 lbs	
Transportation	48 ft Max Pallets: 24 pallets	

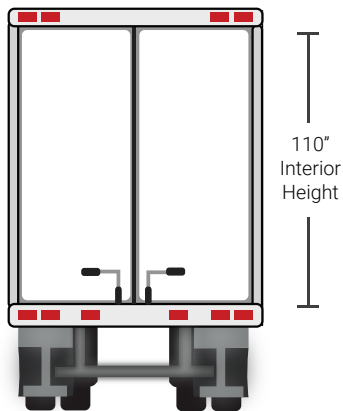
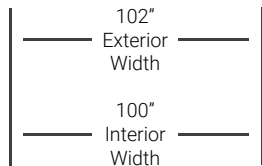
### OVERALL INTERIOR REAR DOOR CAPACITY MAX WEIGHT

OVERALL				INTERIOR				DOOR HEIGHT			CAPACITY	TARE WEIGHT
LENGTH	TH	HEI	T	LENGTH	TH	HEI	T	WIDTH	HEI	T		
48 ft	102"	13' 6"		47' 6"		98.5"		98"		100.6"		
53 ft	102"	13' 6"		47' 6"		98.5"		94"		102"		



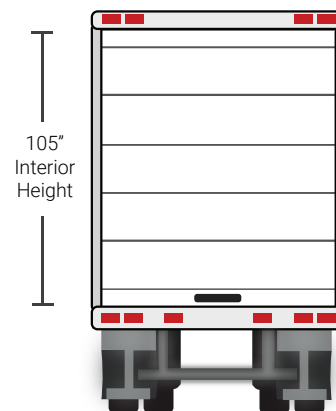
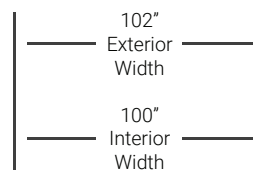
## DRY VAN SEMI TRAILER RENTALS

### SWING DOOR



Door Opening  
98" x 110"

### ROLL DOOR



Door Opening  
98" x 110"

*Data provided for illustrative purposes only. Actual equipment in use varies by carrier and manufacturer.  
This is only a guide and should not be used as a definitive reference for dock planning.*

For more information on rentals contact us at:

[www.bwtrailer.com](http://www.bwtrailer.com)

(800) 227-5134

[info@bwtrailer.com](mailto:info@bwtrailer.com)